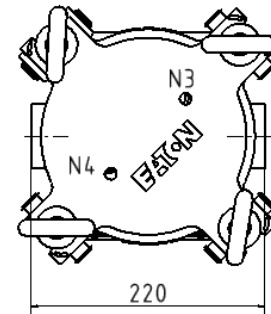
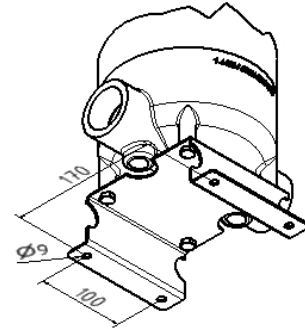
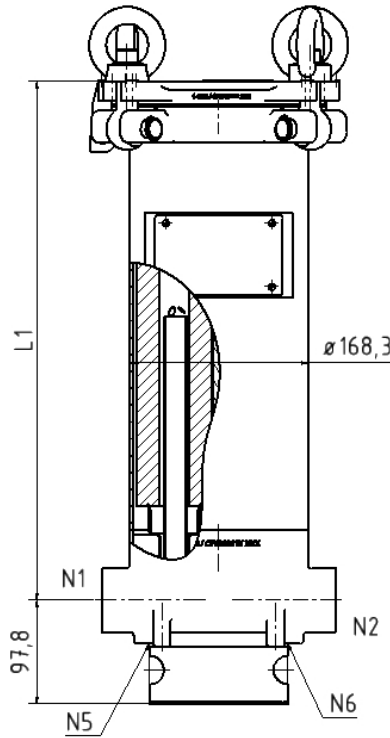


TOPCART Cartridge filter TKF-310 / 320 / 330 / 340-AD16-040B



Specification*	TKF-310-AD16-040B	TKF-320-AD16-040B	TKF-330-AD16-040B	TKF-340-AD16-040B
Code Nr.	F650290	F650291	F650292	F650293
Material housing	1.4408 (CF8M) 1.4571 (SS316Ti)	1.4408 (CF8M) 1.4571 (SS316Ti)	1.4408 (CF8M) 1.4571 (SS316Ti)	1.4408 (CF8M) 1.4571 (SS316Ti)
Material gasket	NBR-O-Ring **	NBR-O-Ring **	NBR-O-Ring **	NBR-O-Ring **
Max. Operating Pressure [bar]	16	16	16	16
Max. Operating Temperature [°C]	160	160	160	160
Connections G	ISO 228/1 - G 1½"	ISO 228/1 - G 1½"	ISO 228/1 - G 1½"	ISO 228/1 - G 1½"
Vent (N3/N4)	2 x ISO 228/1 - G ¼"	2 x ISO 228/1 - G ¼"	2 x ISO 228/1 - G ¼"	2 x ISO 228/1 - G ¼"
Drain (N5/N6)	2 x ISO 228/1 - G ½"	2 x ISO 228/1 - G ½"	2 x ISO 228/1 - G ½"	2 x ISO 228/1 - G ½"
Weight [kg]	31	35	40	46
Volume [L]	9,2	14,7	20,1	25,6
Cartridge length	10" = 254 mm	20" = 508 mm	30" = 762 mm	40" = 1016 mm
Cartridge type	Fits all DOE / SOE 222 with length 9 ¾" resp. 10" and multiple			
Dimension L1 [mm]	488	742	996	1250

* changes possible w/o notice
** Optional EPDM, FPM