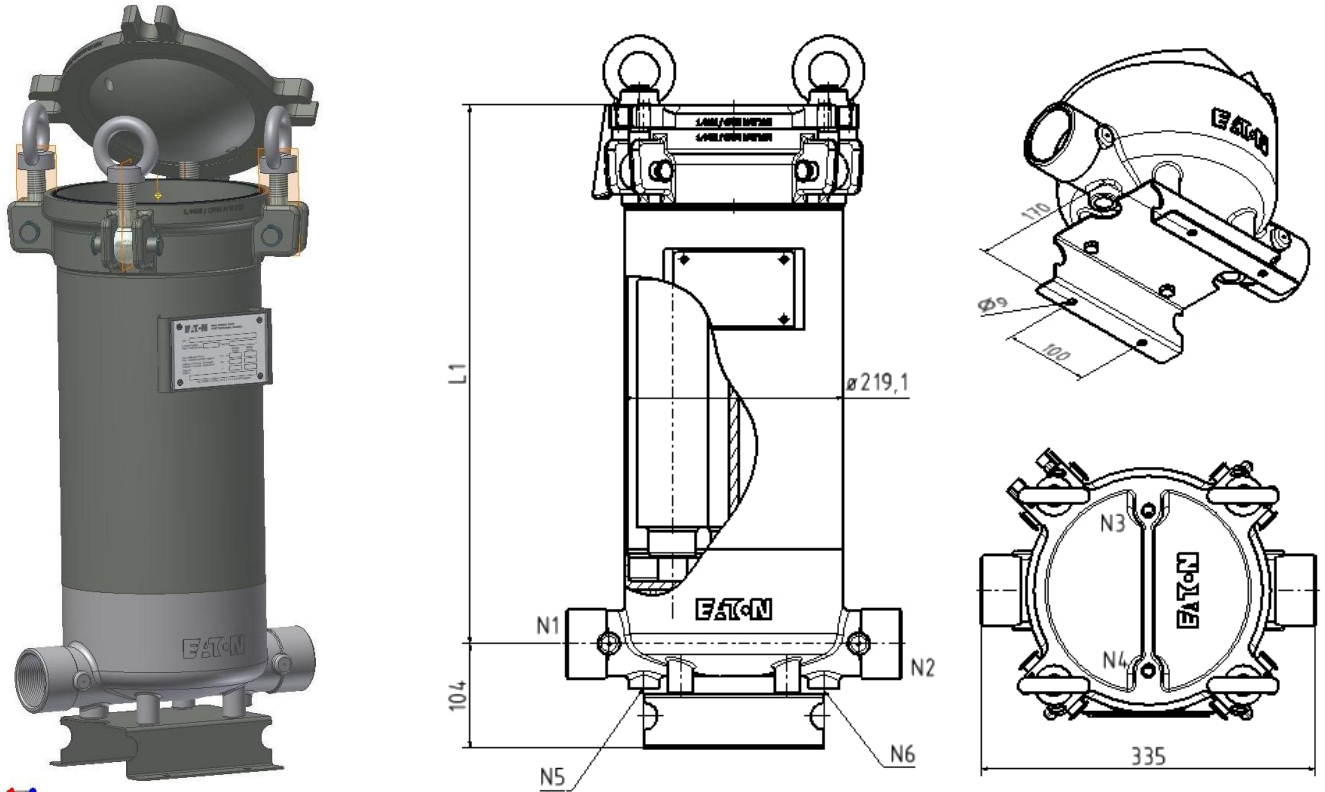


TOPCART Cartridge filter TKF-610 / 620 / 630 / 640-AD10-050B



Specification*	TKF-610-AD10-050B	TKF-620-AD10-050B	TKF-630-AD10-050B	TKF-640-AD10-050B
Code Nr.	F650306	F650307	F650308	F650309
Material housing	1.4408 (CF8M) 1.4571 (SS316Ti)	1.4408 (CF8M) 1.4571 (SS316Ti)	1.4408 (CF8M) 1.4571 (SS316Ti)	1.4408 (CF8M) 1.4571 (SS316Ti)
Material gasket	NBR-O-Ring **	NBR-O-Ring **	NBR-O-Ring **	NBR-O-Ring **
Max. Operating Pressure [bar]	10	10	10	10
Max. Operating Temperature [°C]	160	160	160	160
Connections G	ISO 228/1 - G 2"	ISO 228/1 - G 2"	ISO 228/1 - G 2"	ISO 228/1 - G 2"
Vent (N3/N4)	2 x ISO 228/1 - G 1/4"	2 x ISO 228/1 - G 1/4"	2 x ISO 228/1 - G 1/4"	2 x ISO 228/1 - G 1/4"
Drain (N5/N6)	2 x ISO 228/1 - G 1/2"	2 x ISO 228/1 - G 1/2"	2 x ISO 228/1 - G 1/2"	2 x ISO 228/1 - G 1/2"
Weight [kg]	42	46,5	50,7	55
Volume [L]	16	24	32	40
Cartridge length	10" = 254 mm	20" = 508 mm	30" = 762 mm	40" = 1016 mm
Cartridge type	Fits all DOE / SOE 222 with length 9 3/4" resp. 10" and multiple			
Dimension L1 [mm]	539	793	1047	1301

* changes possible w/o notice
** Optional EPDM, FPM